

22C:060: Computer Organization

Homework 4

Total points = 40

Assigned October 23, 2012, due October 30, 2012, 11:59 PM

Submit your solution through ICON dropbox.

Solve the following problems from your textbook.

Question 1. (4x5=20 points) Solve the following problems from Appendix A:

Problem A.2 (b) (c)

Problem A.6

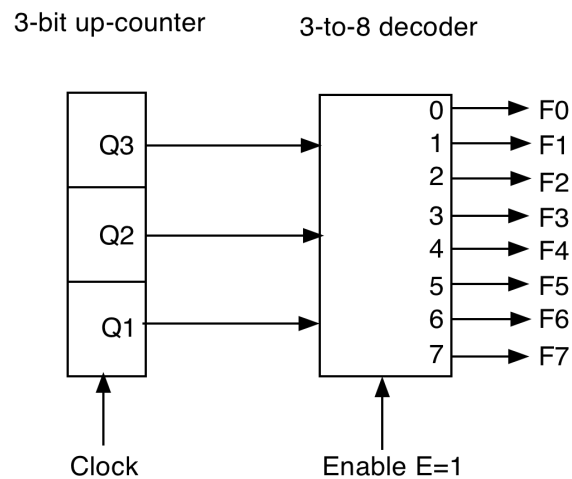
Problem A.8

Question 2. (2x5 = 10 points) Solve the following problems from Chapter 5:

Problem 5.2

Problem 5.4

Question 3. (10 points) Consider the following circuit:



How will the outputs F0-F7 change if 10 clock pulses are applied one after another to the clock input?